

# TableTrain™ (Lazy Susan)

## Assembly Instruction Designed for rectangular tables

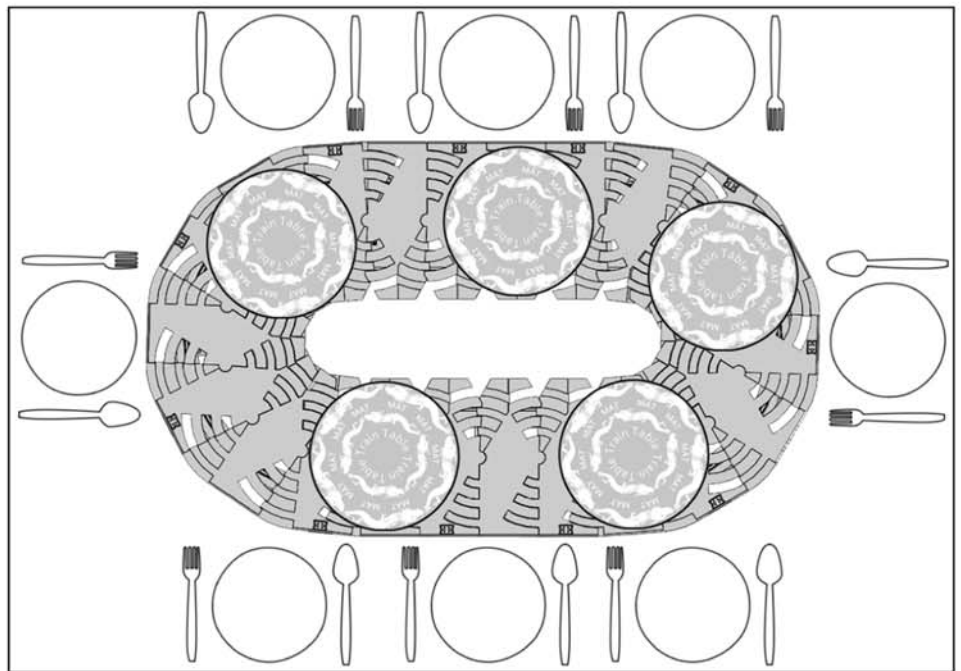
- Features**
- The most convenient way to pass food.
  - Easy to assemble & disassemble for storage.
  - Adopt engineering thermoplastic to strengthen the structure.
  - Loading capacity up to 40 KG.

**Dimension: length 102cm, width 60cm, height 29cm**  
**Allowable guests: 6~8 seats**

### Specification of product

**Model : TTO-A**

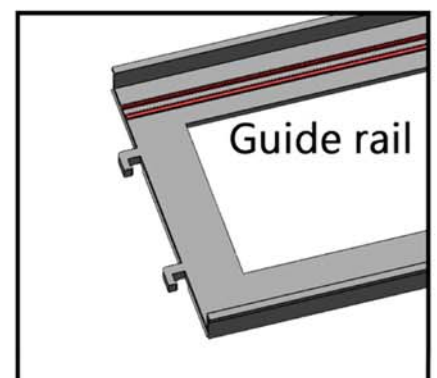
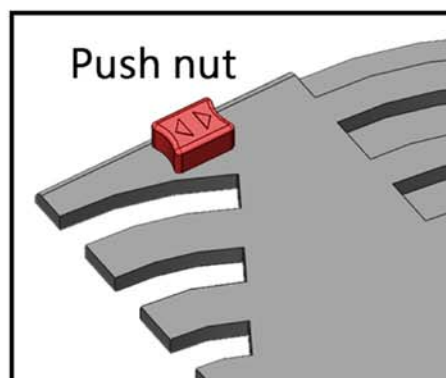
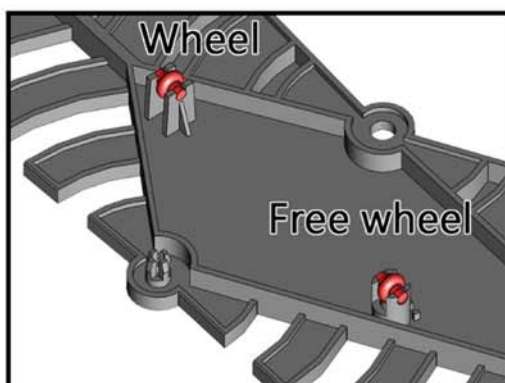
- Optionl colors are available
- Dimension : length 102cm, width 60cm, height 29cm
- Gross weight :
- net weight : 4.5 kg
- Allowable guests : 6~8 seats
- Suitable table size :  
Length 55~63inch  
Width:39~47inch

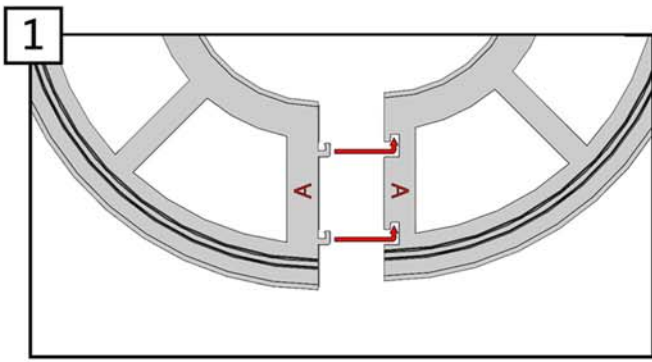


### Contents

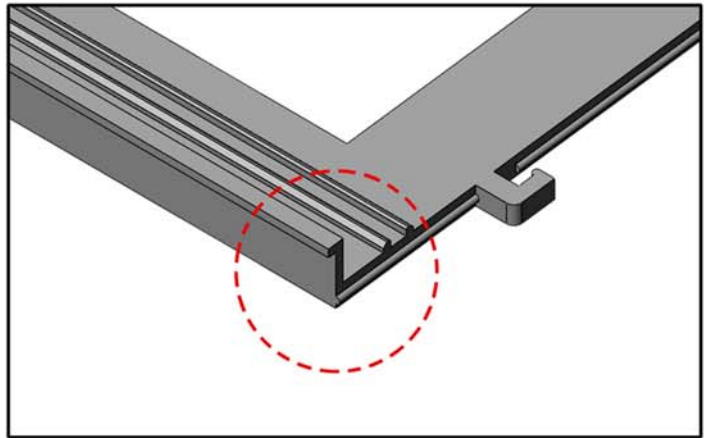
- Straight rails X 2pc.
- Half-circle rails X 4pc.
- Table plates X 22pc.
- Mats X 8pc.

### Part's explanation

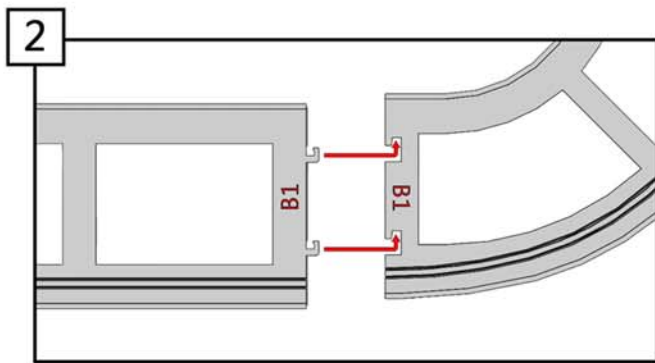
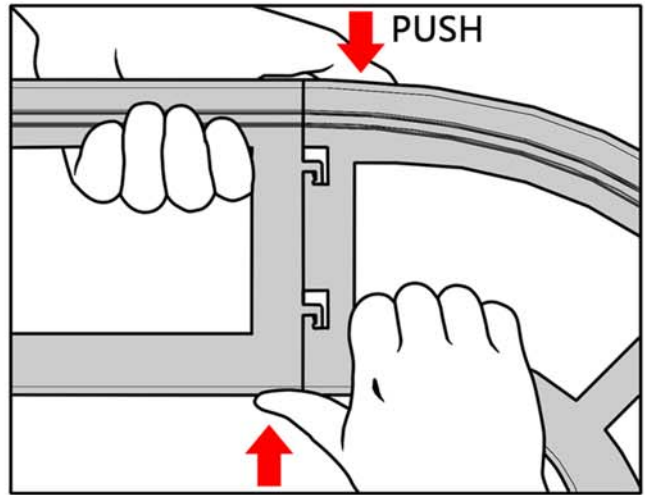
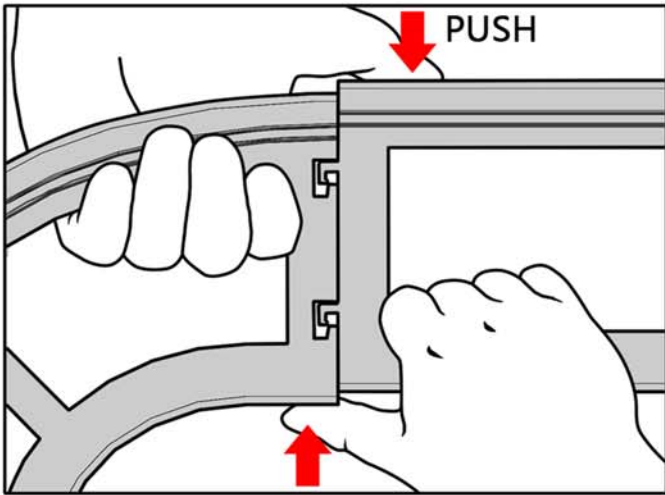




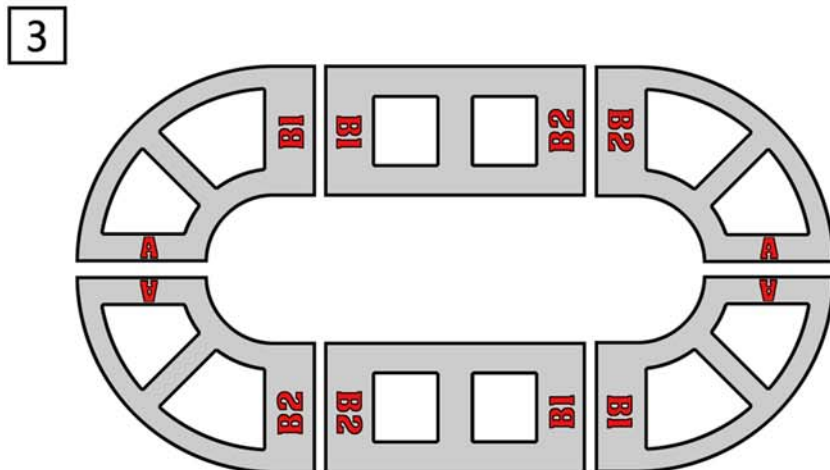
To assemble the two each half circle rail snap-in A to A.



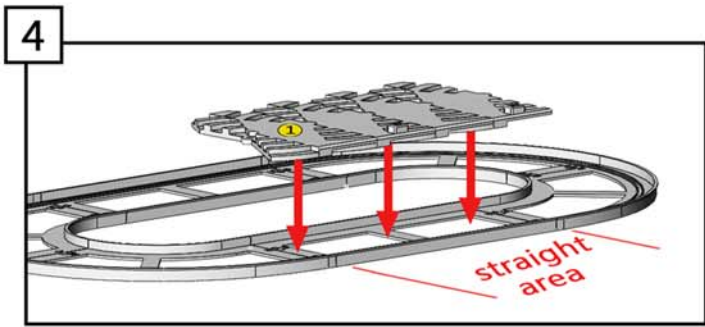
Be careful about those sharpen edges.



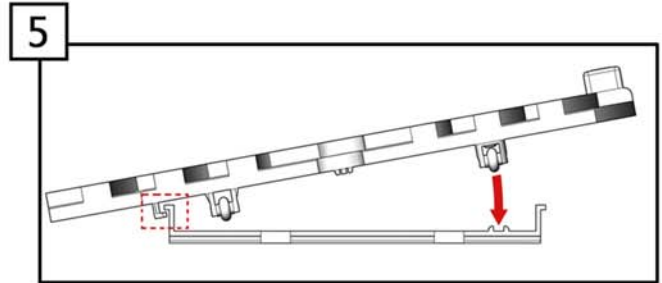
To assemble the top circle rail and straight rail, snap-in B1 to B1 and B2 to B2



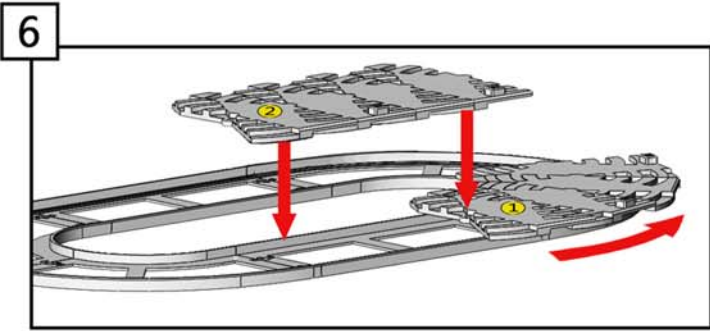
Connect all rail's part as shown as a complete oval shape.



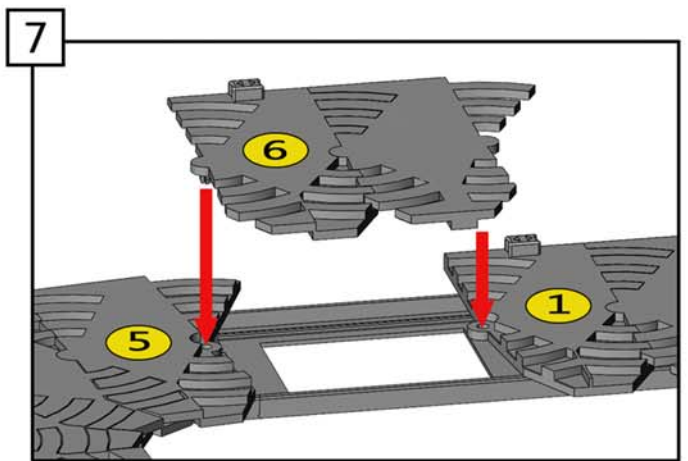
Click the plate section marked ❶ into the straight area of rotation rail.



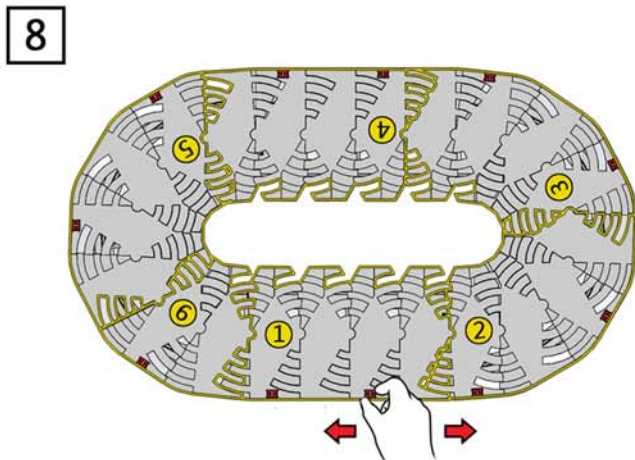
"L" shape underneath to be stopped as a guide to let the front roller easily track into the rail.



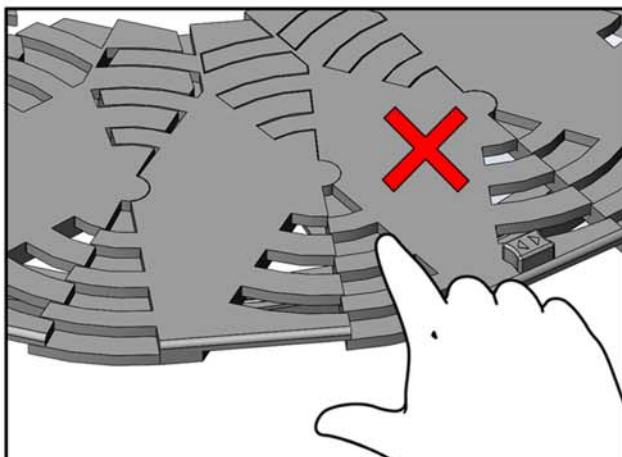
Move the plate section ❶ marked forward into the half section circle rail to let the plate section made ❷ be connected and clicked into the oval rail



The last ❷ plate section then connect with both ❶ and ❸ plate section.



Check and turn the whole plate to right or left to make sure the assembly is properly connected.



Note  
Do not push into the gap.